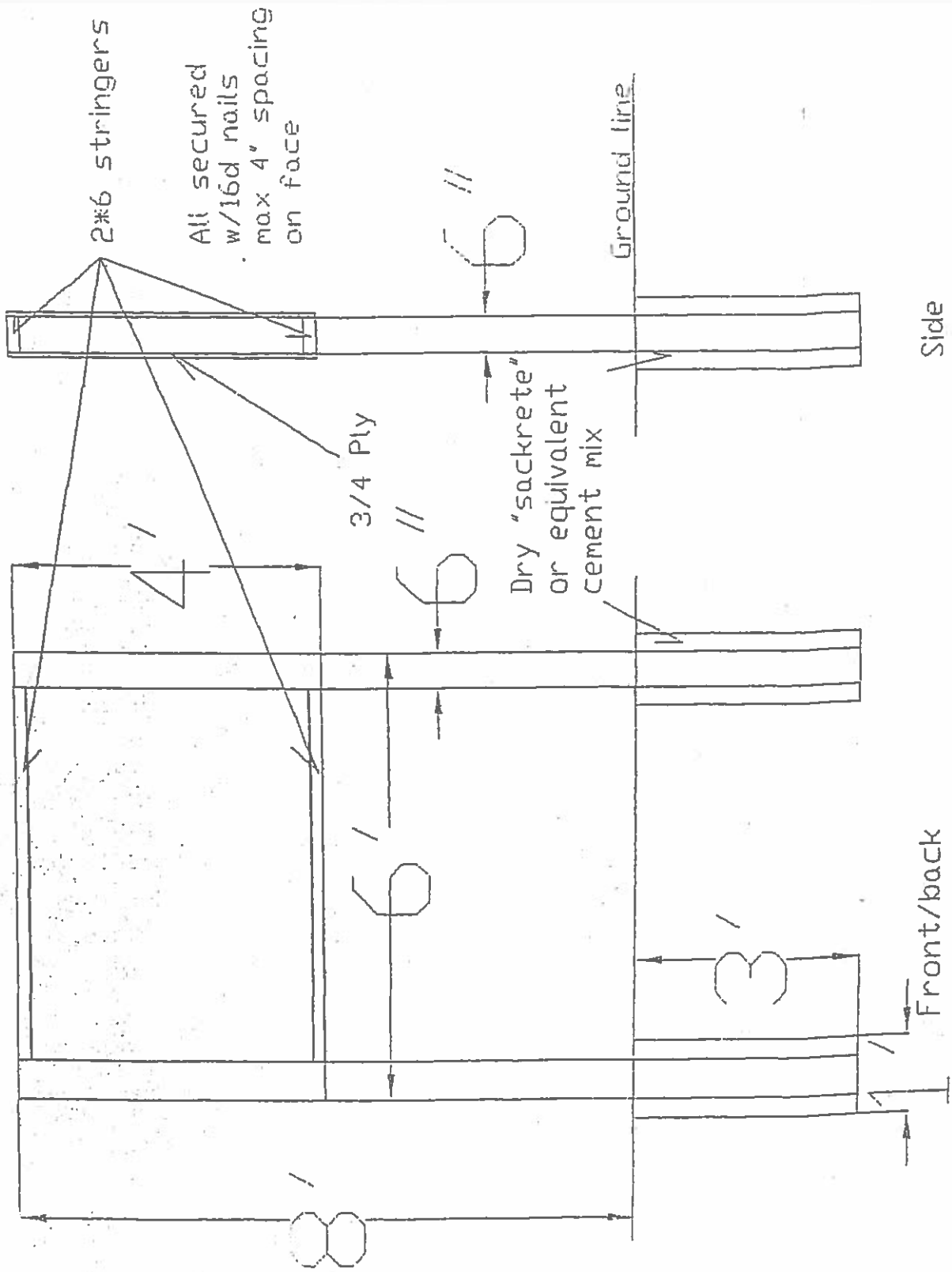
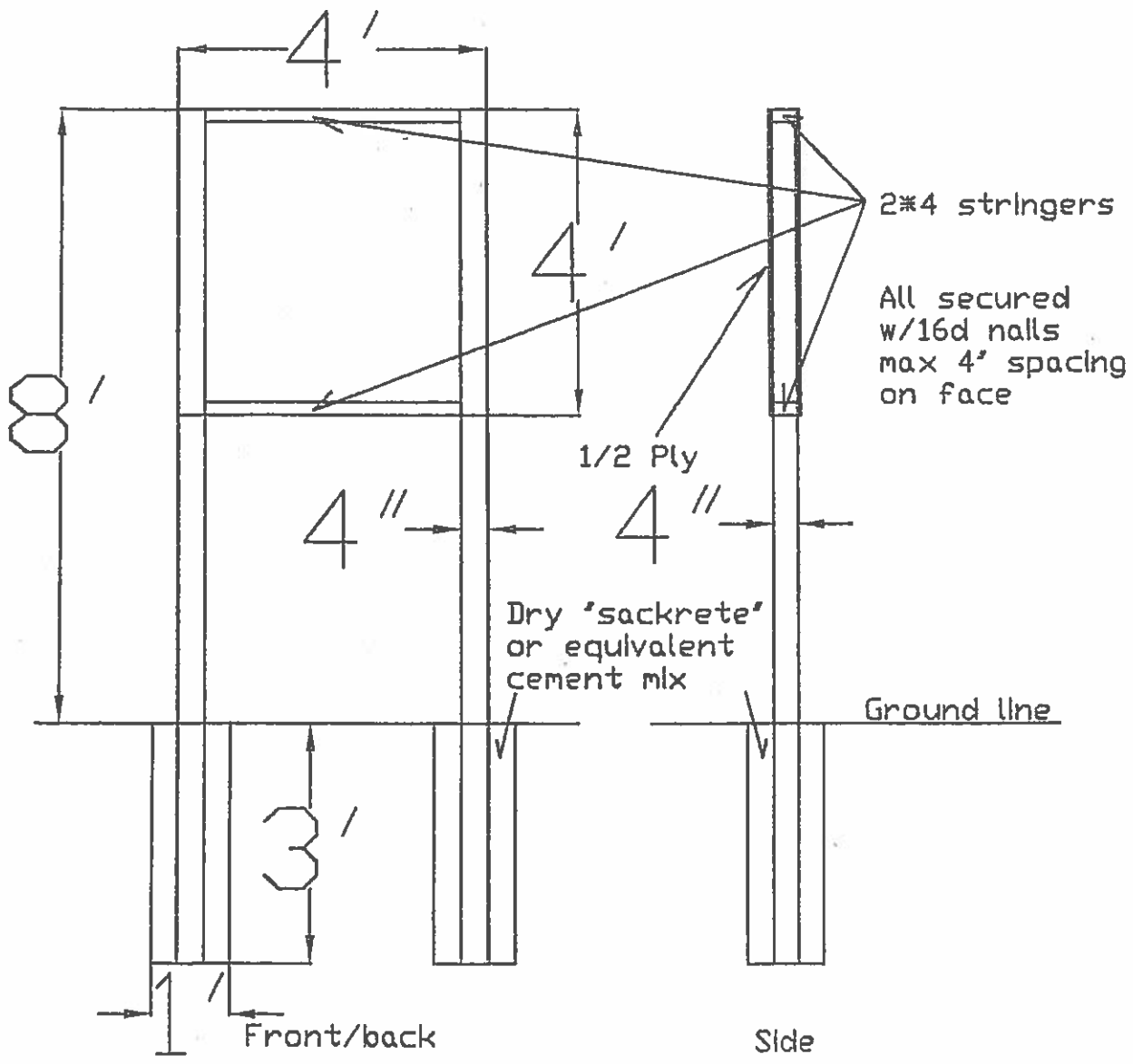


Variances to this design with Chief Building Officials permission only. Sign must have the building permit number permanently affixed. Numbers must be readable from a ground position.



Variations to this design with Chief Building Officials permission only. Sign must have the building permit number permanently affixed. Numbers must be readable from a



Variances to this design with Chief Building Officials permission only. Sign must have building permit number permanently attached. Numbers must be readable from a ground position. 4'x4' post are allowed only in 120 MPH or less zones